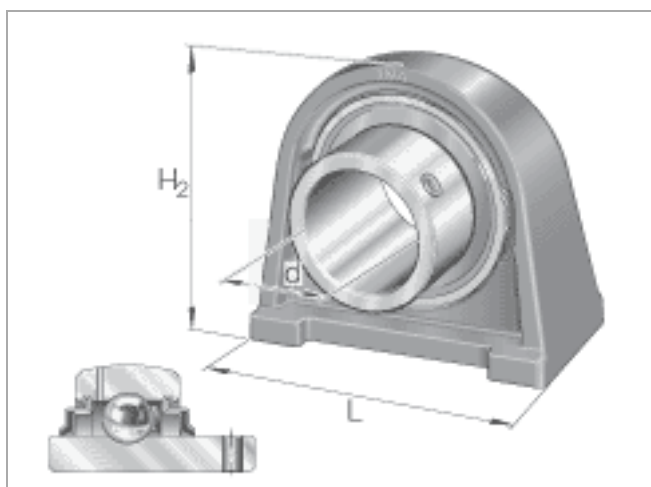




# Plummer block housing units RSHEY

cast iron housing, radial insert ball bearing with grub  
screws in inner ring, R seals

The datasheet is only an overview of dimensions and basic load ratings of the selected series. Please pay attention to all the advice in these overview pages. Further information is given on many products under the menu item "Description". You can also order comprehensive information via the Catalogue ordering system (<http://www.ina.de/content.ina.de/en/services/mediathek/library/library.jsp>) or by telephone on +49 (91 32) 82 - 28 97.



	d mm	L mm	H2 mm	
RSHEY15		15	63	57
RSHEY17		17	63	57
RSHEY20-N		20	65	64
RSHEY25-N		25	70	70
RSHEY30-N		30	98	82
RSHEY35-N		35	103	93
RSHEY40-N		40	116	99
RSHEY45		45	120	107
RSHEY50-N		50	135	115
RSHEY55		55	150	125
RSHEY60-N		60	150	140
	d mm	L mm	H2 mm	



Figure 1

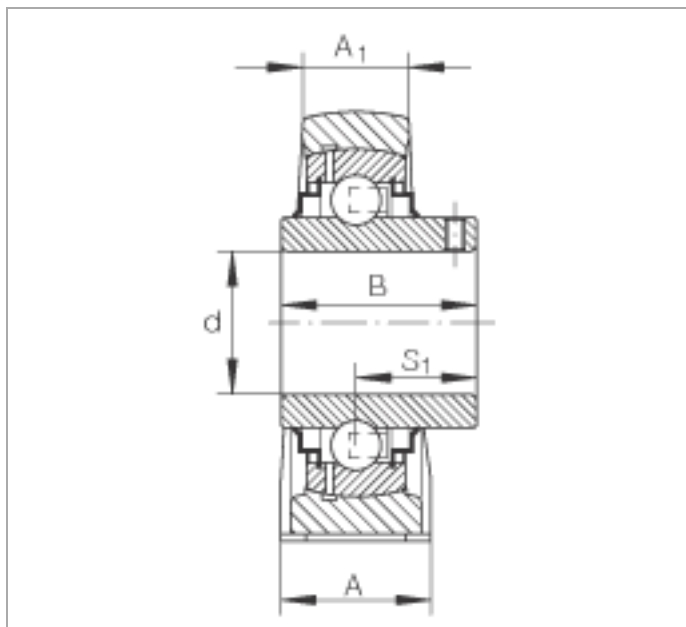
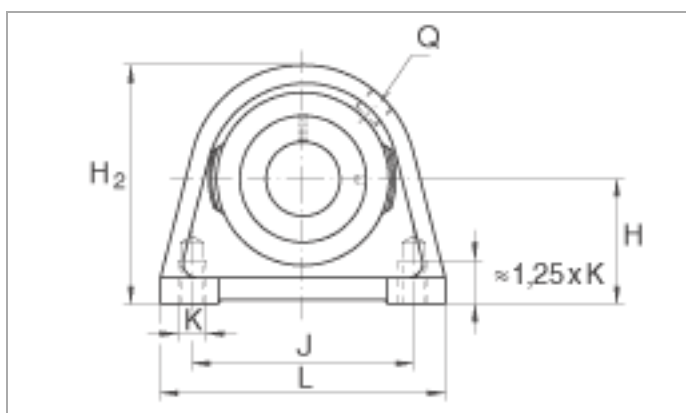


Figure 2



## RSHEY15

Figure 1 , Figure 2

d	15 mm	
L	63 mm	
H <sub>2</sub>	57 mm	
A	30 mm	
A <sub>1</sub>	18 mm	
B	27,4 mm	
H	30,2 mm	
J	47 mm	
K	M8	
Q	M6	
S <sub>1</sub>	15,9 mm	
m	0,42 kg	Mass
C <sub>r</sub>	9800 N	Basic dynamic load rating, radial
C <sub>0r</sub>	4750 N	Basic static load rating, radial
	GG.SHE03	Designation of housing
	GYE15-KRR-B	Designation of bearing

## RSHEY17

Figure 1 , Figure 2

d	17 mm	
L	63 mm	
H <sub>2</sub>	57 mm	
A	30 mm	
A <sub>1</sub>	18 mm	
B	27,4 mm	
H	30,2 mm	
J	47 mm	
K	M8	
Q	M6	
S <sub>1</sub>	15,9 mm	
m	0,41 kg	Mass
C <sub>r</sub>	9800 N	Basic dynamic load rating, radial
C <sub>0r</sub>	4750 N	Basic static load rating, radial
	GG.SHE03	Designation of housing
	GYE17-KRR-B	Designation of bearing

## RSHEY20-N

Figure 1 , Figure 2

d	20 mm	
L	65 mm	
H <sub>2</sub>	64 mm	
A	32 mm	
A <sub>1</sub>	19 mm	
B	31 mm	
H	33,3 mm	
J	50,8 mm	
K	M8	
Q	Rp 1/8	
S <sub>1</sub>	18,3 mm	
m	0,43 kg	Mass
C <sub>r</sub>	12800 N	Basic dynamic load rating, radial
C <sub>0r</sub>	6600 N	Basic static load rating, radial
	GG.SHE04-N	Designation of housing
	GYE20-KRR-B	Designation of bearing
	KASK04	Bearing end cap, closed design. To be ordered separately.
		Slot for bearing end cap

## RSHEY25-N

Figure 1 , Figure 2

d	25 mm	
L	70 mm	
H <sub>2</sub>	70 mm	
A	36 mm	
A <sub>1</sub>	21 mm	
B	34,1 mm	
H	36,5 mm	
J	50,8 mm	
K	M10	
Q	Rp 1/8	
S <sub>1</sub>	19,8 mm	
m	0,54 kg	Mass
C <sub>r</sub>	14000 N	Basic dynamic load rating, radial
C <sub>0r</sub>	7800 N	Basic static load rating, radial
	GG.SHE05-E-N	Designation of housing
	GYE25-KRR-B	Designation of bearing
	KASK05	Bearing end cap, closed design. To be ordered separately.
		Slot for bearing end cap

## RSHEY30-N

Figure 1 , Figure 2

d	30 mm	
L	98 mm	
H <sub>2</sub>	82 mm	
A	40 mm	
A <sub>1</sub>	25 mm	
B	38,1 mm	
H	42,9 mm	
J	76,2 mm	
K	M10	
Q	Rp 1/8	
S <sub>1</sub>	22,2 mm	
m	0,94 kg	Mass
C <sub>r</sub>	19500 N	Basic dynamic load rating, radial
C <sub>0r</sub>	11300 N	Basic static load rating, radial
	GG.SHE06-E-N	Designation of housing
	GYE30-KRR-B	Designation of bearing
	KASK06	Bearing end cap, closed design. To be ordered separately.
		Slot for bearing end cap

## RSHEY35-N

Figure 1 , Figure 2

d	35 mm	
L	103 mm	
H <sub>2</sub>	93 mm	
A	45 mm	
A <sub>1</sub>	27 mm	
B	42,9 mm	
H	47,6 mm	
J	82,6 mm	
K	M10	
Q	Rp 1/8	
S <sub>1</sub>	25,4 mm	
m	1,25 kg	Mass
C <sub>r</sub>	25500 N	Basic dynamic load rating, radial
C <sub>0r</sub>	15300 N	Basic static load rating, radial
	GG.SHE07-E-N	Designation of housing
	GYE35-KRR-B	Designation of bearing
	KASK07	Bearing end cap, closed design. To be ordered separately.
		Slot for bearing end cap

## RSHEY40-N

Figure 1 , Figure 2

d	40 mm	
L	116 mm	
H <sub>2</sub>	99 mm	
A	48 mm	
A <sub>1</sub>	30 mm	
B	49,2 mm	
H	49,2 mm	
J	88,9 mm	
K	M12	
Q	Rp 1/8	
S <sub>1</sub>	30,2 mm	
m	1,53 kg	Mass
C <sub>r</sub>	32500 N	Basic dynamic load rating, radial
C <sub>0r</sub>	19800 N	Basic static load rating, radial
	GG.SHE08-E-N	Designation of housing
	GYE40-KRR-B	Designation of bearing
	KASK08	Bearing end cap, closed design. To be ordered separately.
		Slot for bearing end cap

## RSHEY45

Figure 1 , Figure 2

d	45 mm	
L	120 mm	
H <sub>2</sub>	107 mm	
A	48 mm	
A <sub>1</sub>	32 mm	
B	49,2 mm	
H	54 mm	
J	95,3 mm	
K	M12	
Q	Rp 1/8	
S <sub>1</sub>	30,5 mm	
m	2,15 kg	Mass
C <sub>r</sub>	32500 N	Basic dynamic load rating, radial
C <sub>0r</sub>	20400 N	Basic static load rating, radial
	GG.SHE09	Designation of housing
	GYE45-KRR-B	Designation of bearing

## RSHEY50-N

Figure 1 , Figure 2

d	50 mm	
L	135 mm	
H <sub>2</sub>	115 mm	
A	54 mm	
A <sub>1</sub>	34 mm	
B	51,6 mm	
H	57,2 mm	
J	101,6 mm	
K	M16	
Q	Rp 1/8	
S <sub>1</sub>	32,6 mm	
m	2,82 kg	Mass
C <sub>r</sub>	35000 N	Basic dynamic load rating, radial
C <sub>0r</sub>	23200 N	Basic static load rating, radial
	GG.SHE10-E-N	Designation of housing
	GYE50-KRR-B	Designation of bearing
	KASK10	Bearing end cap, closed design. To be ordered separately.
		Slot for bearing end cap

## RSHEY55

Figure 1 , Figure 2

d	55 mm	
L	150 mm	
H <sub>2</sub>	125 mm	
A	60 mm	
A <sub>1</sub>	35 mm	
B	55,6 mm	
H	64 mm	
J	118 mm	
K	M16	
Q	Rp 1/8	
S <sub>1</sub>	33,4 mm	
m	3,29 kg	Mass
C <sub>r</sub>	43500 N	Basic dynamic load rating, radial
C <sub>0r</sub>	29000 N	Basic static load rating, radial
	GG.SHE11	Designation of housing
	GYE55-KRR-B	Designation of bearing

## RSHEY60-N

Figure 1 , Figure 2

d	60 mm	
L	150 mm	
H <sub>2</sub>	140 mm	
A	60 mm	
A <sub>1</sub>	42 mm	
B	65,1 mm	
H	69,9 mm	
J	118 mm	
K	M16	
Q	Rp 1/8	
S <sub>1</sub>	39,7 mm	
m	3,9 kg	Mass
C <sub>r</sub>	52000 N	Basic dynamic load rating, radial
C <sub>0r</sub>	36000 N	Basic static load rating, radial
	GG.SHE12-N	Designation of housing
	GYE60-KRR-B	Designation of bearing
	KASK12	Bearing end cap, closed design. To be ordered separately.
		Slot for bearing end cap